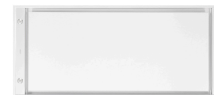


**Ceiling unit**  
**Pure'line 120 cm**  
**White**

EAN 5414425068418



### Energy label

|  |      |
|--|------|
| ▪ Energy Efficiency class (EEIhood)              | A+   |
| ▪ Annual Energy Consumption (kWh/year) (AEChood) | 33,1 |
| ▪ Fluid Dynamic Efficiency class (FDEhood)       | A    |
| ▪ Lighting Efficiency class (LEhood)             | C    |
| ▪ Grease Filtering Efficiency class (GFEhood)    | D    |

### Functions & features

|  |                               |
|--|-------------------------------|
| ▪ Control method                           | Push buttons + Remote control |
| ▪ Number of speeds                         | 3 + power                     |
| ▪ Automatic Power revert (minutes)         | 6                             |
| ▪ Motor                                    | Integrated & Remote           |
| ▪ Sound absorber                           | Integrated                    |
| ▪ Recirculation                            | Optional                      |
| ▪ InTouch function                         | Standard                      |
| ▪ Auto stop                                | ▪                             |
| ▪ Delayed switch off (minutes)             | 10                            |
| ▪ Number of grease filters                 | 2                             |
| ▪ Grease filter                            | 6830020                       |
| ▪ Grease filter cleaning indication        | ▪                             |
| ▪ Recirculation filter cleaning indication | ▪                             |

### Dimensions

|   |                               |
|---|-------------------------------|
| ▪ Product dimensions (WxDxH) (mm)                         | 1168 x 508 x 313              |
| ▪ Height incl. mounting clamps (without motorbox) (mm)    | 133                           |
| ▪ Width flange (mm)                                       | 15                            |
| ▪ Dimensions cut-out opening (WxD) (mm)                   | 1145 x 485                    |
| ▪ Advised mounting height induction hobs (Hmin-Hmax) (mm) | 600 - 1600                    |
| ▪ Advised mounting height gas hobs (Hmin-Hmax) (mm)       | 650 - 1600                    |
| ▪ Advised mounting height ceramic hobs (Hmin-Hmax) (mm)   | 600 - 1600                    |
| ▪ Diameter outlet (mm)                                    | 150                           |
| ▪ Position exhaust  | Top, Right, Left, Front, Back |

### Lighting

|   |           |
|---|-----------|
| ▪ Functional lighting type                      | Led       |
| ▪ Dimmable light                                | ▪         |
| ▪ Soft-ON/OFF                                   | ▪         |
| ▪ Total energy consumption functional light (W) | 8         |
| ▪ Color functional light                        | 2700/4000 |

### Airflow and noise level

- Airflow (m<sup>3</sup>/h) measured according to EN 61591
- Sound regulation according to EN 60704-2-13

## Airflow and noise level

---

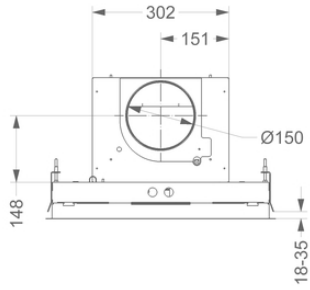
|   |           |
|---|-----------|
| ▪ Airflow speed 1 (m <sup>3</sup> /h) / Max Pressure speed 1 (Pa)       | 246 / 84  |
| ▪ Airflow speed 2 (m <sup>3</sup> /h) / Max Pressure speed 2 (Pa)       | 407 / 251 |
| ▪ Airflow speed 3 (m <sup>3</sup> /h) / Max Pressure speed 3 (Pa)       | 535 / 382 |
| ▪ Airflow Powerspeed (m <sup>3</sup> /h) / Max Pressure Powerspeed (Pa) | 615 / 384 |
| ▪ Sound pressure speed 1 (dB(A)) / Sound power speed 1 (dB(A))          | 24 / 35   |
| ▪ Sound pressure speed 2 (dB(A)) / Sound power speed 2 (dB(A))          | 35 / 47   |
| ▪ Sound pressure speed 3 (dB(A)) / Sound power speed 3 (dB(A))          | 42 / 55   |
| ▪ Sound pressure Powerspeed (dB(A)) / Sound Powerspeed (dB(A))          | 46 / 58   |

## Technical specifications

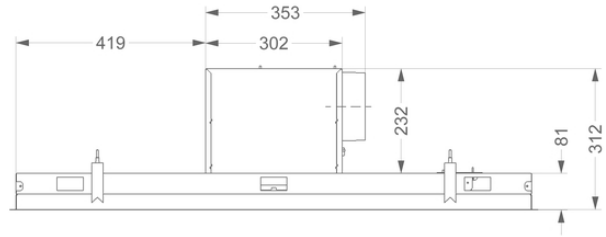
---

|   |         |
|---|---------|
| ▪ Maximum power                               | 118     |
| ▪ Voltage (V)                                 | 220-230 |
| ▪ Frequency (Hz)                              | 50      |
| ▪ Length power supply cord (m)                | 1,2     |
| ▪ Power consumption in stand-by-mode (Ps) (W) | 0.25    |
| ▪ Net weight (kg)                             | 24,5    |

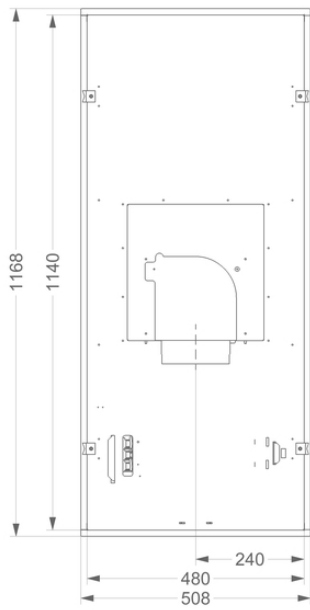
1



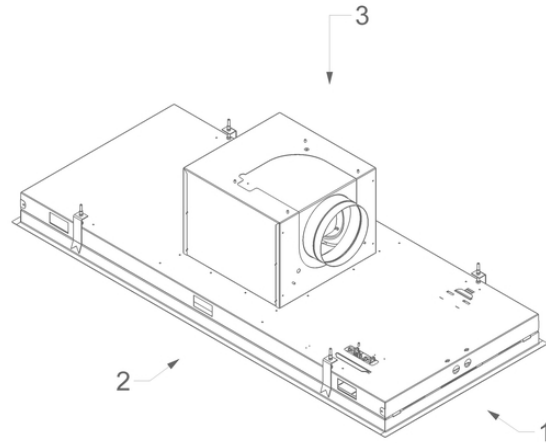
2



3



4



**Installation accessories**

---

**Extension cable**

▪ 7000094

Extension cable 5 m

**Accessories**

---

**Recirculation box**

841400

recirculation box with monoblock white (270x500mm)



842400

recirculation box with monoblock black (270x500mm)



843400

recirculation box with monoblock grey (270x500mm)

**Adapter for limited installation height**

6830052

Adapter for limited installation height 17,3 cm

**Control kit**

990030

Control kit for external lighting or valve

## Efficiency Curve

